



MODEL: **BSXJTS600**

BASIX

manufactured by **MECHLINE**



Janitorial Sink. Stainless steel construction (600mm deep) with monobloc mixer tap.

Dimensions: Hand-wash bowl: 430 (max) x 280 x 130 deep.
Mop bowl: 400 x 400 x 200 deep.

Manufacturer: Mechline Developments Limited.

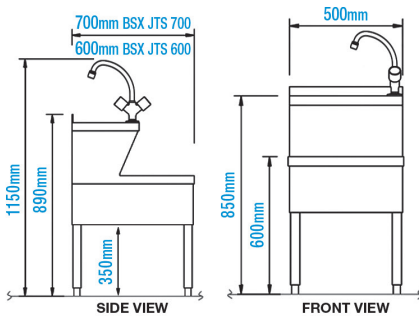
Brand: BaSix.

Model Range: Janitorial Sink.

Tap Type: Monobloc mixer.

FEATURES & BENEFITS

- Lift-out (removable) mop strainer.
- Waste fittings (excluding trap).
- Adjustable feet.
- Removable rear legs.
- Bracket supplied for easy installation on coved walls.



MAINTENANCE & CLEANING

Cleaning chrome: Do not use abrasive, chlorine or acid-based cleaning products. Avoid contact with concentrated bleach.

Clean with soapy water using a cloth or sponge.

Dimensions are in millimeters. If a CAD file is required please visit www.mechline.com.



MECHLINE DEVELOPMENTS LIMITED

Tel: +44 (0)1908 261511 | Email: info@mechline.com | Web: www.mechline.com